

## Application

Designed for use with the SCE HMI enclosures, allows operators to easily move or position an HMI to an ergonomic and comfortable working position. Heavy duty and reliable construction. Suspension Systems can be assembled in a multitude of configurations that allow for machine mount, wall-mount, top-mount, and floor-mount options. For installation instructions consult our installation manual at [www.saginawcontrol.com](http://www.saginawcontrol.com)

## Construction

- 304 Stainless Steel couplings.
- 304 Stainless Steel tubes.
- Rotating couplings have adjustable tensioner brakes to control movement while in use.
- O-Ring Gaskets at all connections maintain oil and water tight seal.
- Continuous closed tube – S, J and I shape designs.
- Closed tube acts as conduit for feeding wiring.
- Rigid, durable bearing in all rotating couplings withstand the stress of continuous use.
- Removable access covers on all couplings with 90 degree turn.
- Stainless Steel Hardware included for installation of coupling to tube.

## Finish

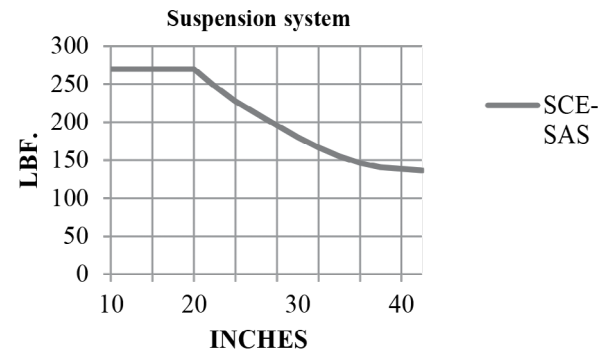
#4 brushed finish

## Industry Standards

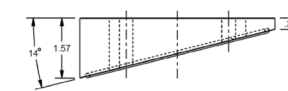
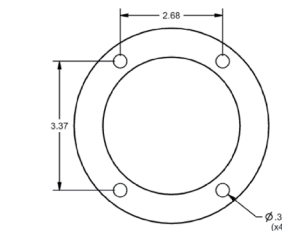
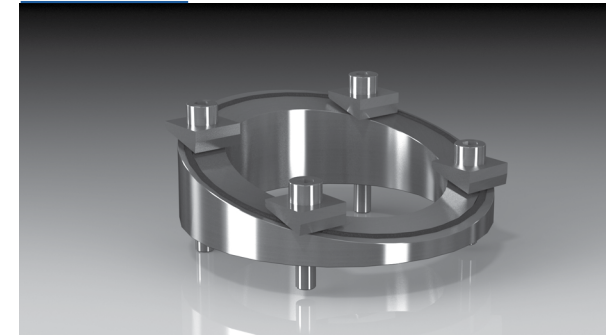
NEMA Type 4X  
IEC 60529 IP55

Catalog No.	Description	Height	Width (A)	Depth	Product Code
<a href="#">SCE-SAS360C</a>	Coupling 360 Swivel	3.19	5.12	5.12	C3
<a href="#">SCE-SASFSCO</a>	Floor Stand with Cable Outlet	4.52	5.12	5.12	C3
<a href="#">SCE-SAS310TM</a>	Top-Mounted Joint 310 Swivel	3.19	5.12	5.12	C3
<a href="#">SCE-SASWMA</a>	Wall Bracket Adapter	5.87	7.54	5.12	C3
<a href="#">SCE-SAS14A</a>	Angle Adapter 14 Degree	1.57	5.12	5.143	C3
<a href="#">SCE-SAS20J</a>	Stainless Steel J Profile Tube	19.69	11.81	2.36	C3
<a href="#">SCE-SAS30J</a>	Stainless Steel J Profile Tube	29.53	29.53	2.36	C3
<a href="#">SCE-SAS39J</a>	Stainless Steel J Profile Tube	29.53	39.37	2.36	C3
<a href="#">SCE-SAS20S</a>	Stainless Steel S Profile Tube	23.62	19.68	2.36	C3
<a href="#">SCE-SAS39S</a>	Stainless Steel S Profile Tube	23.62	39.37	2.36	C3
<a href="#">SCE-SAS20I</a>	Stainless Steel Straight Tube	19.69	2.36	2.36	C3
<a href="#">SCE-SAS39I</a>	Stainless Steel Straight Tube	39.37	2.36	2.36	C3
<a href="#">SCE-SAS59I</a>	Stainless Steel Straight Tube	59.06	2.36	2.36	C3

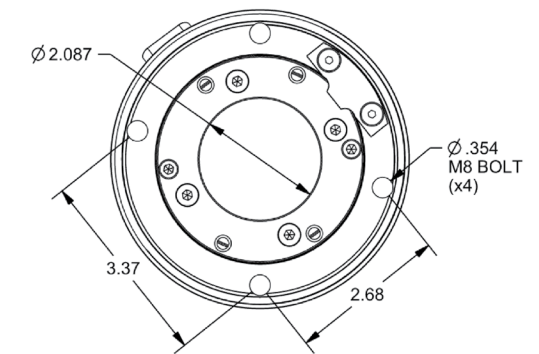
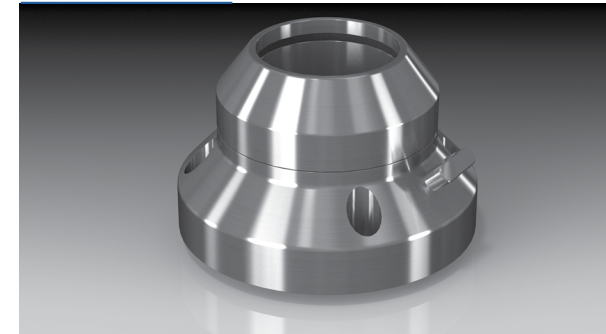
### LOAD DIAGRAM



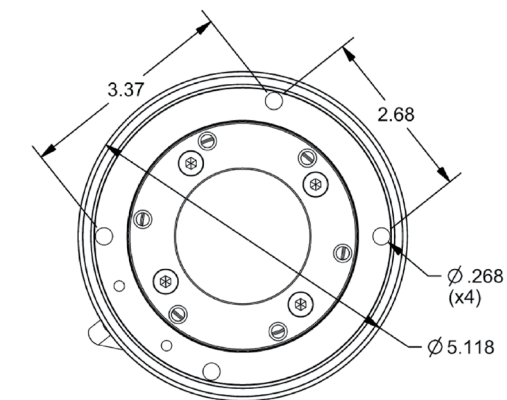
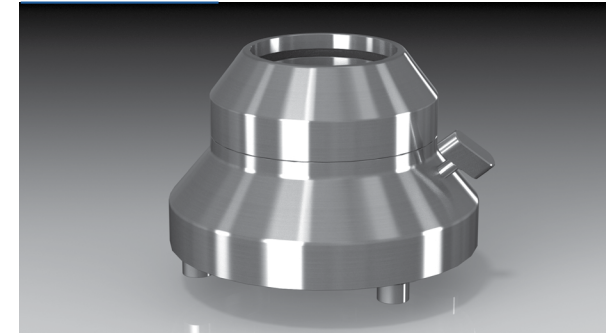
## SCE-SAS14A



## SCE-SAS310TM



## SCE-SAS360C



## SCE-SASWMA

